
**KIT PART NUMBER 4550018
INSTRUCTIONS FOR INSTALLING A
FIELD MONETARY SLIDE KIT
ON A 455 MERCHANDISER**

CHECK THE PARTS RECEIVED IN THE KIT WITH THE PARTS LIST IN THESE INSTRUCTIONS. IF ANY PARTS ARE MISSING, CONTACT THE NATIONAL VENDORS PARTS DEPARTMENT IMMEDIATELY.

Read these instructions carefully before installing the kit.
Keep these instructions for part numbers and for future reference.

This kit contains the following :

PART NUMBER	DESCRIPTION	QUANTITY
1141043	10-32X1/2 ACORN HWHO-WIBS	8
1451097	SCREW - #8-32X.31 HEX HD.TF - BLACK	16
4555154	SLIDE - MONETARY	2
4555155	SCREW - #10-32 X .375 PHILLIPS FHS	8
4555156	PLATE - CABINET - SLIDE	2
4555157	PLATE - FRAME - SLIDE	2
4555158	INSTRUCTIONS - SLIDE - INSTALLATION	1

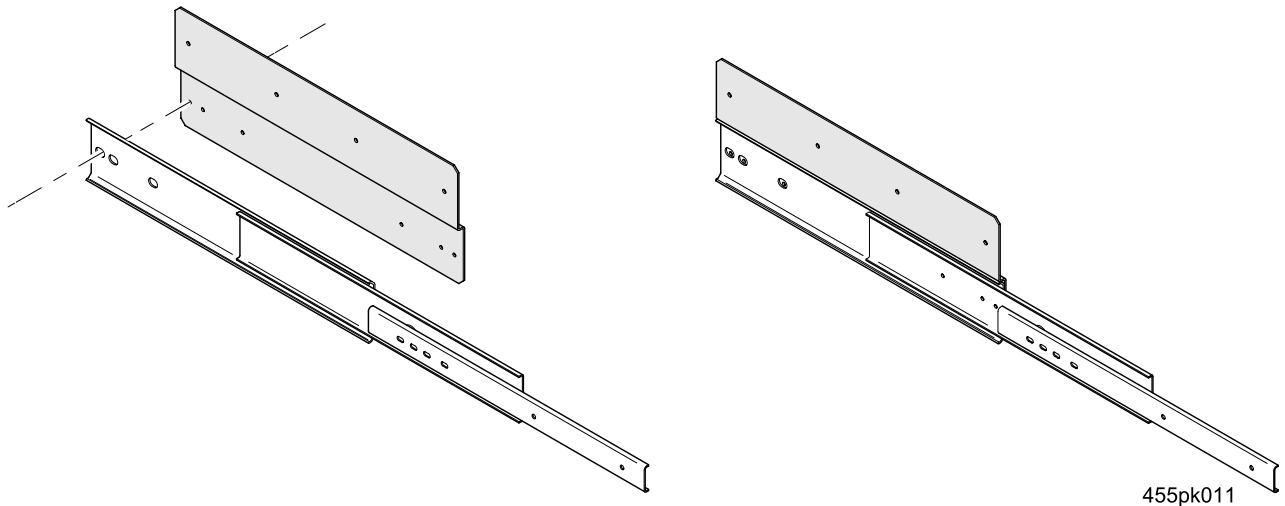
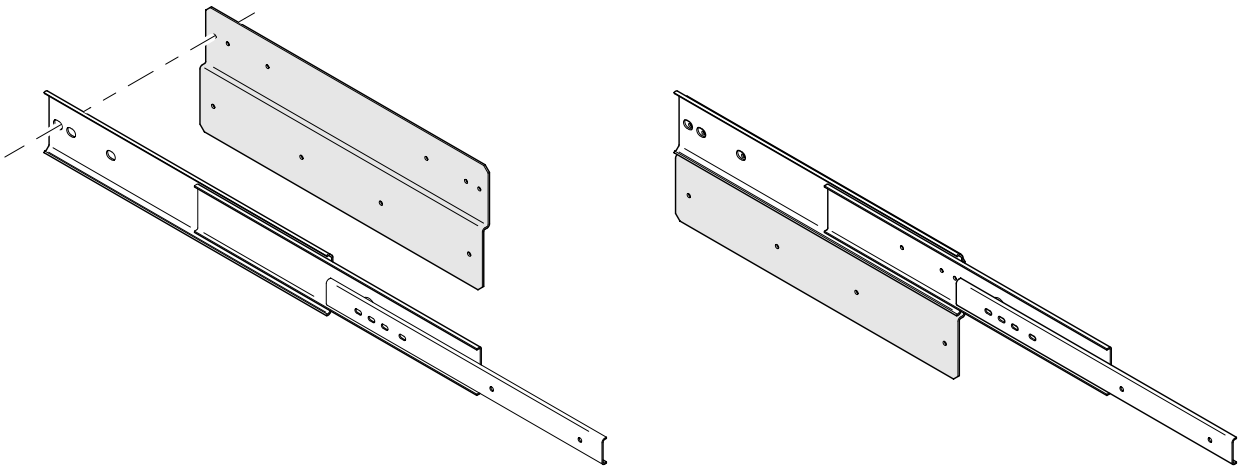
WARNING - ELECTRICAL SHOCK HAZARD

**Turn off machine electrical power at Main Switch before installing.
Failure to do so could result in a fatal electrical shock.**

1. Unlock the monetary door, unlatch and open the main door and turn off the machine power at the Main Switch. Failure to turn off power could result in a fatal electrical shock.
2. Slide the monetary panel forward.
3. Remove the PC Board and Power Supply Covers and disconnect the harness.
4. Unscrew the (8) screws (p/n 1451097) holding the top and bottom monetary slides to the frame. Set frame aside temporarily.
5. Remove the monetary panel screws attaching the slides to the monetary cabinet.

-
6. Attach one Monetary Slide (p/n 4555154) to each Cabinet Slide Plate (p/n 4555156) using (4) screws (p/n 4555155) as shown in Figure 1 below.

TOP SLIDE

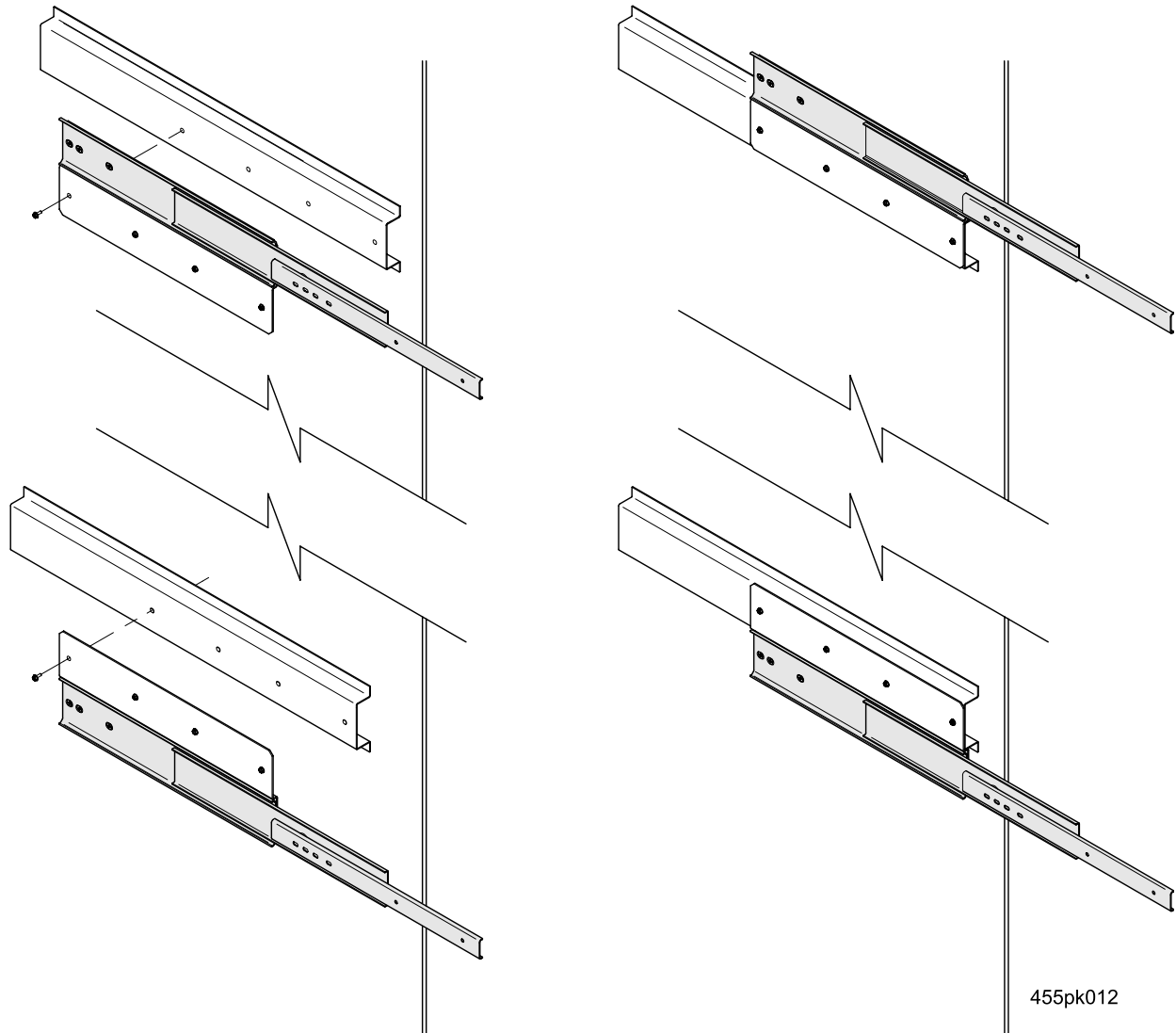


BOTTOM SLIDE

Figure 1

7. Install the Cabinet Slide Plates as shown in Figure 2, using (8) screws (p/n 1451097).

TOP OF MONETARY CABINET



BOTTOM OF MONETARY CABINET

Figure 2

-
8. Install the Frame Slide Plates (p/n 4555157) to the Frame as shown in Figure 3, using (8) screws (p/n 1451097).

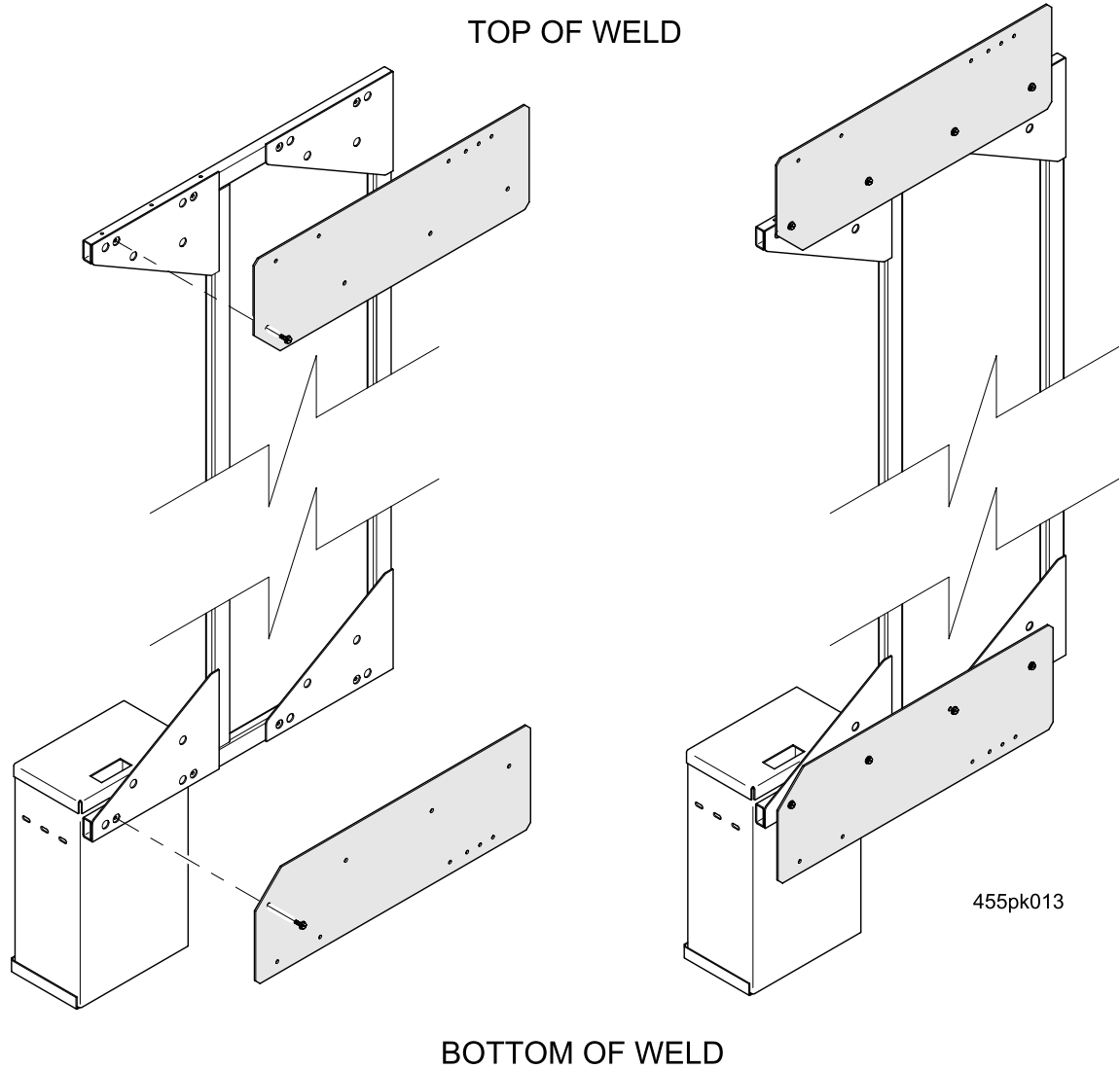


Figure 3

-
9. Extend the Monetary Slides (p/n 4555154) out and attach the Frame to the slides using (8) screws (p/n 1141043). See Figure 4 below.

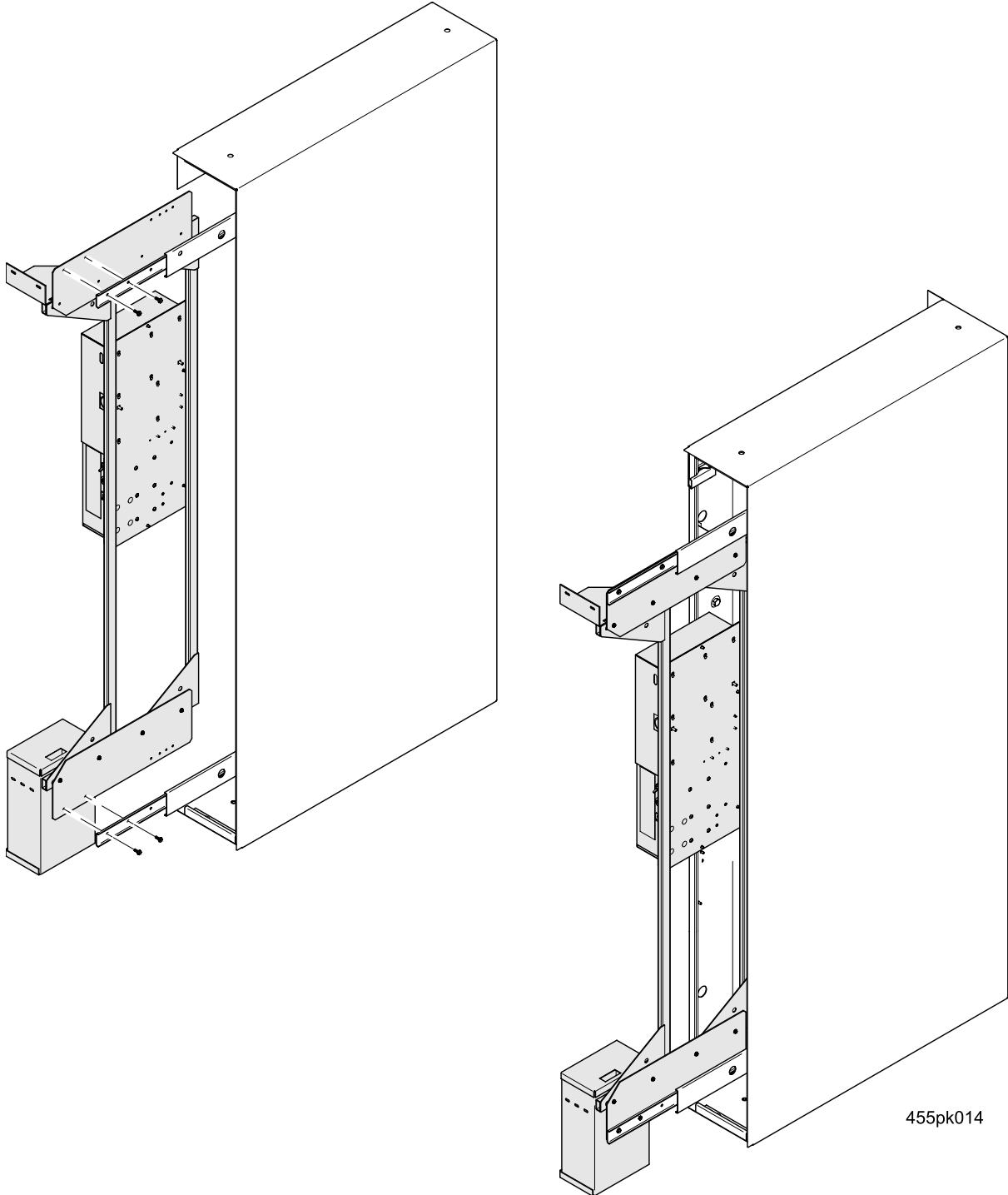


Figure 4

10. Reconnect the harness removed in step 3 and replace the PC Board and Power Supply Covers.